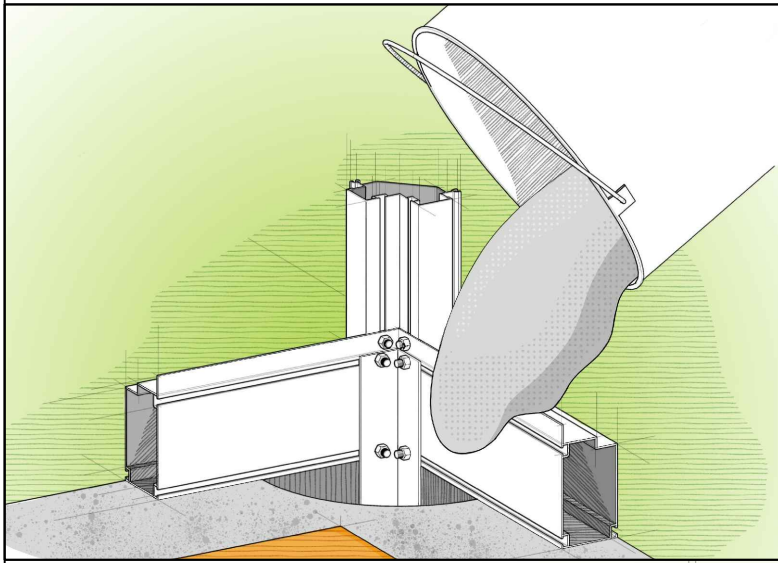
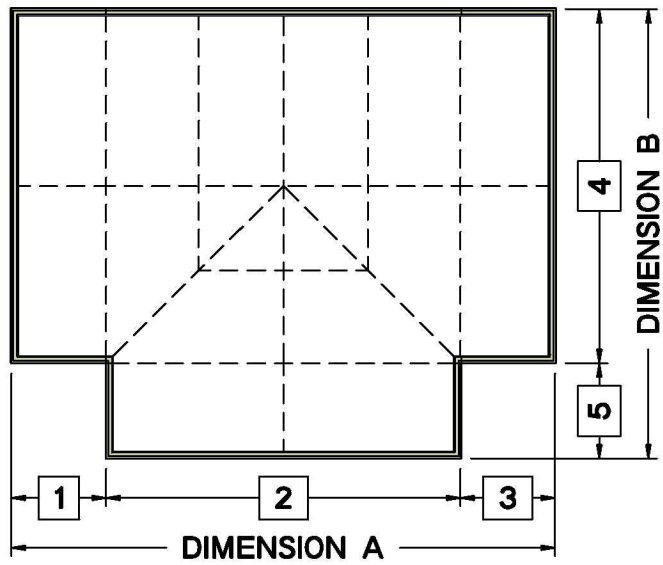


" JUNIOR T "



A = 4018 mm	1	829mm
	2	2360mm
	3	829mm
B = 3189 mm	4	2360mm
	5	829mm

