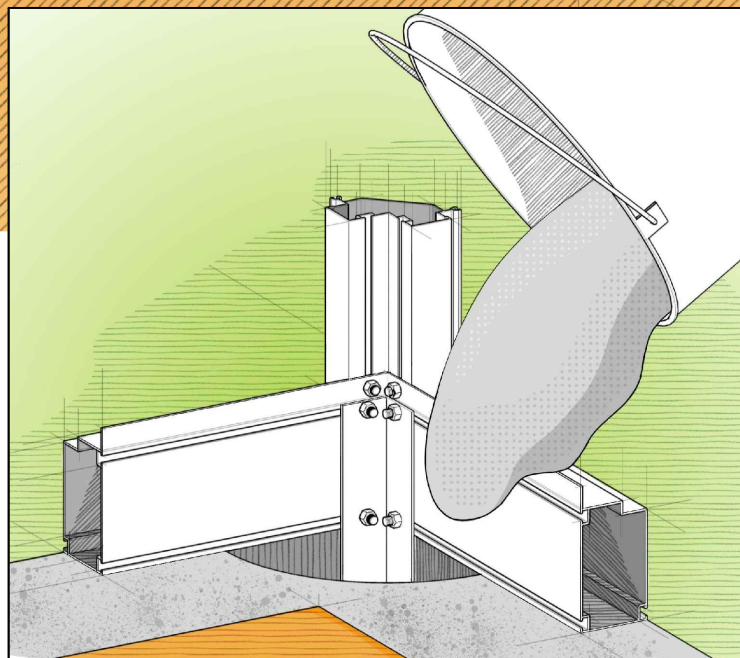
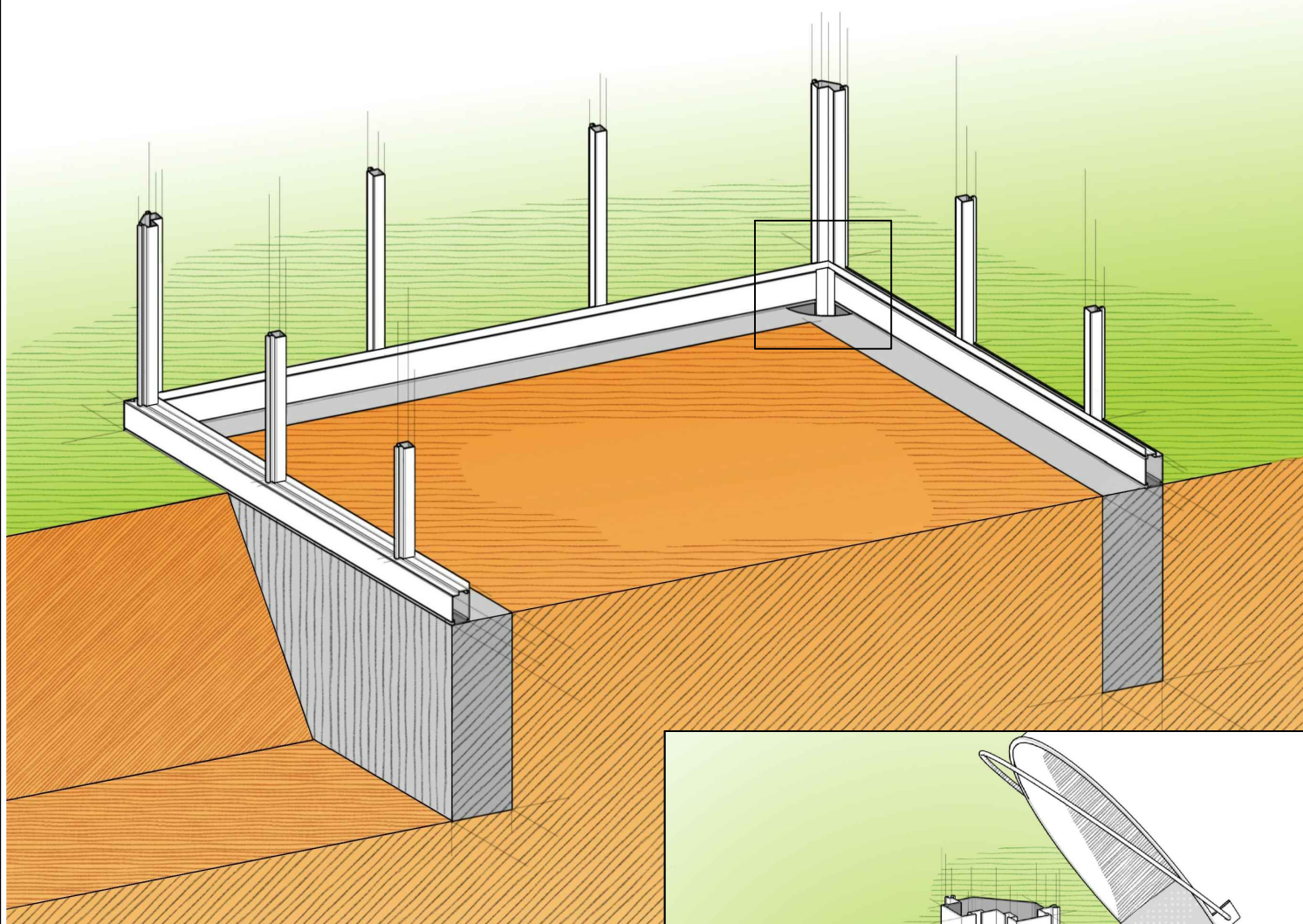
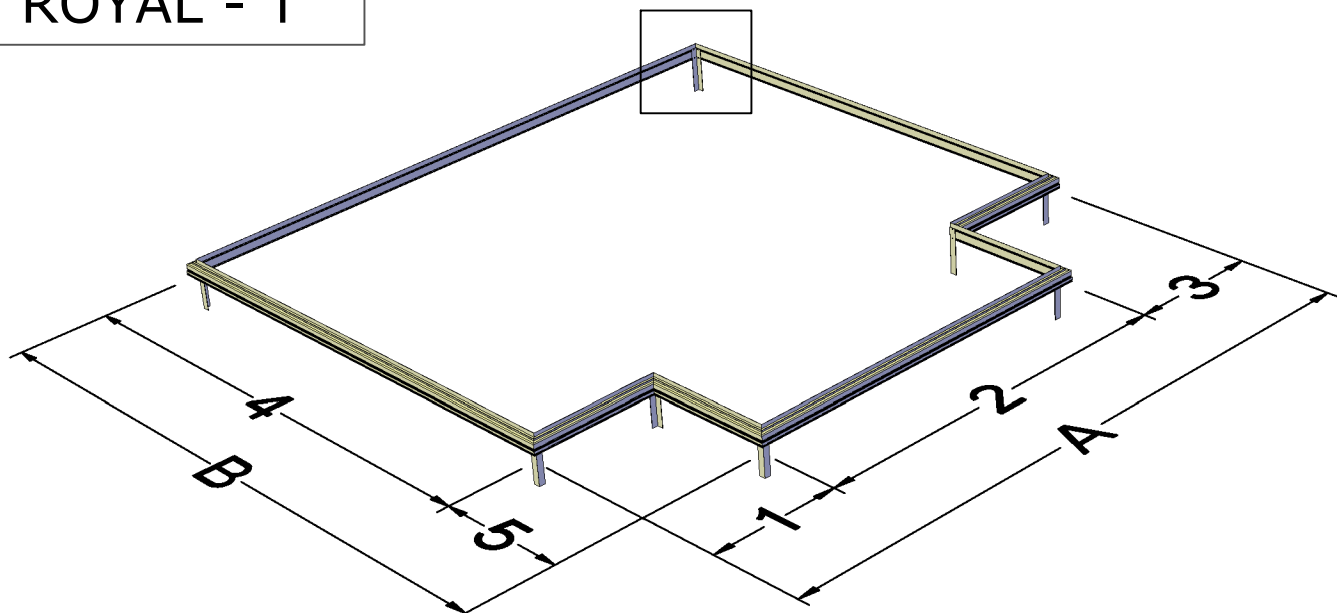


" ROYAL - T"



A = 1+2+3	1 829mm	A = 4018
	2 2360mm	
	3 829mm	
B = 4+5	4 3098mm	B = 3927
	5 829mm	

